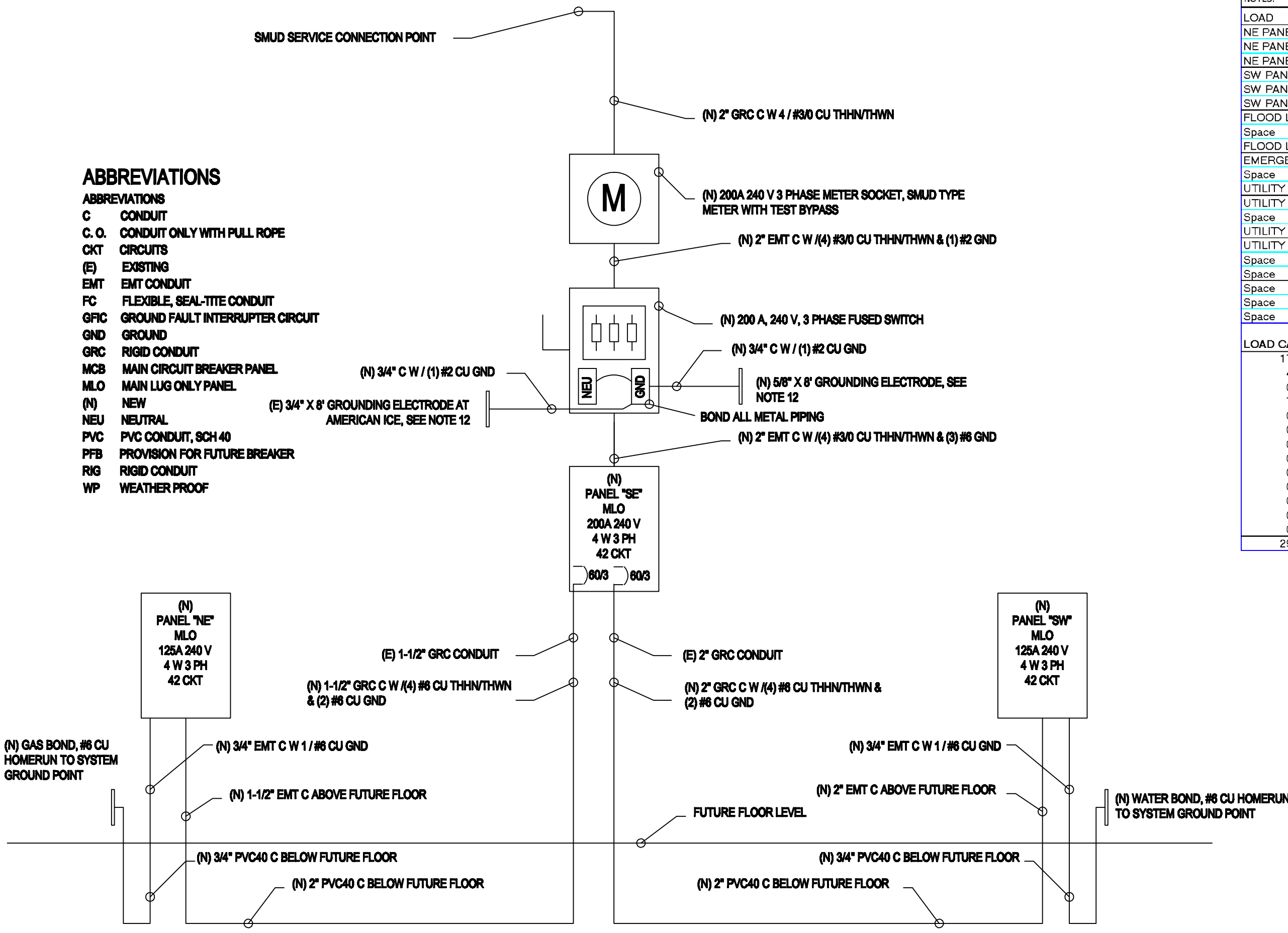


ABBREVIATIONS

- C CONDUIT
- C.O. CONDUIT ONLY WITH PULL ROPE
- CKT CIRCUITS
- (E) EXISTING
- EMT EMT CONDUIT
- FC FLEXIBLE, SEAL-TITE CONDUIT
- GFC GROUND FAULT INTERRUPTER CIRCUIT
- GND GROUND
- GRC RIGID CONDUIT
- MCB MAIN CIRCUIT BREAKER PANEL
- MLO MAIN LUG ONLY PANEL
- (N) NEW
- NEU NEUTRAL
- PVC PVC CONDUIT, SCH 40
- PFB PROVISION FOR FUTURE BREAKER
- RIG RIGID CONDUIT
- WP WEATHER PROOF



ELECTRICAL ONE-LINE DIAGRAM

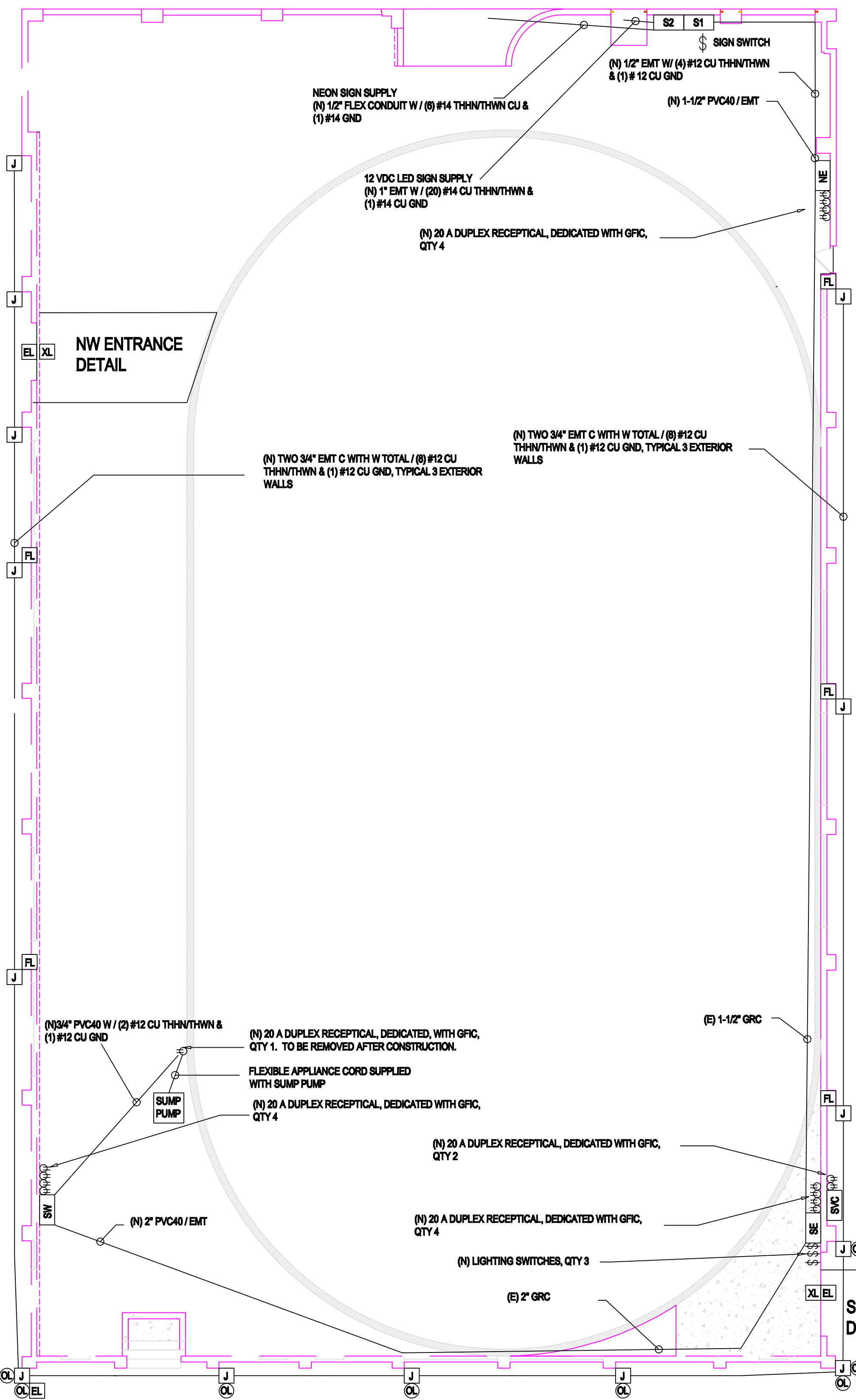
NO SCALE

ICELAND SKATING RINK RESTORATION PROJECT

WARNING Stinger Leg PH B												Panel loaded at	% PHASE IMBALANCE
ALLOUED LOAD: 200 amps												11%	<30% Loaded
VOLTAGE: 120/240V 3P, 4W												BUS: 200A	MOUNT: SURFACE
TYPE: LOAD CENTER												MAIN: MLO	TYPE: NEMA 3R
LOAD	KVA	CB	NO	A	B	C	NO	CB	KVA	LOAD			
NE PANEL	4.3	60V	1	A	B	C	2	20/1	0.3	C	PERIMETER LIGHT 1		
NE PANEL											Spare		
NE PANEL											Spare		
SW PANEL	3.8	3	5				6	20/1	0.3	C	PERIMETER LIGHT 2		
SW PANEL											Spare		
SW PANEL											Spare		
SW PANEL	2.4	3	11				12	20/1	1.2	R	EXTERIOR RECEPTACLE 2		
FLOOD LIGHT 1	1.3	20/1	13	A	B	C	14	PFB			Spare		
Space											Spare		
FLOOD LIGHT 2	1.3	20/1	17	A	B	C	18	PFB			Spare		
EMERGENCY LIGHTS	1.1	20/1	19	A	B	C	20	PFB			Spare		
Space											Spare		
UTILITY RECEPTACLE 1	1.2	20/1	23	A	B	C	24	PFB			Spare		
UTILITY RECEPTACLE 2	1.2	20/1	25	A	B	C	26	PFB			Spare		
Space											Spare		
UTILITY RECEPTACLE 3	1.2	20/1	29	A	B	C	30	PFB			Spare		
UTILITY RECEPTACLE 4	1.2	20/1	31	A	B	C	32	PFB			Spare		
Space											Spare		
Space											Spare		
Space											Spare		
Space											Spare		
Space											Spare		
Space											Spare		
Space											Spare		
Space											Spare		
Space											Spare		
Space											Spare		
Space											Spare		

WARNING Stinger Leg PH B												Panel loaded at	% Phase Unbalance
ALLOUED LOAD: 125 amps												11%	<30% Loaded
VOLTAGE: 120/240V 3P, 4W												BUS: 125A	MOUNT: SURFACE
TYPE: LOAD CENTER												MAIN: MLO	TYPE: NEMA 3R
LOAD	KVA	CB	NO	A	B	C	NO	CB	KVA	LOAD			
UTILITY RECEPTACLE 1	1.2	20/1	1	A	B	C	2	PFB			Spare		
Space											Spare		
UTILITY RECEPTACLE 2	1.2	20/1	5	A	B	C	6	PFB			Spare		
UTILITY RECEPTACLE 3	1.2	20/1	7	A	B	C	8	PFB			Spare		
UTILITY RECEPTACLE 4	1.2	20/1	11	A	B	C	12	PFB			Spare		
SUMP PUMP	0.7	20/1	13	A	B	C	14	PFB			Spare		
Space											Spare		
Space											Spare		
Space											Spare		
Space											Spare		
Space											Spare		
Space											Spare		
Space											Spare		
Space											Spare		
Space											Spare		
Space											Spare		
Space											Spare		
Space											Spare		
Space											Spare		
Space											Spare		
Space											Spare		
Space											Spare		
Space											Spare		

WARNING Stinger Leg PH B												Panel loaded at	% Phase Unbalance
ALLOUED LOAD: 125 amps												17%	<30% Loaded
VOLTAGE: 120/240V 3P, 4W												BUS: 125A	MOUNT: SURFACE
TYPE: LOAD CENTER												MAIN: MLO	TYPE: NEMA 3R
LOAD	KVA	CB	NO	A	B	C	NO	CB	KVA	LOAD			
NEON SIGN 1	1.4	20/1	1	A	B	C	2	20/1	1.2	R	UTILITY RECEPTACLE 1		
Space											Spare		
NEON SIGN 2	1.4	20/1	5	A	B	C	6	20/1	1.2	R	UTILITY RECEPTACLE 2		
LED SIGNS	0.6	20/1	7	A	B	C	8	20/1	1.2	R	UTILITY RECEPTACLE 3		
Space											Spare		
Space											Spare		
Space											Spare		
Space											Spare		
Space											Spare		
Space											Spare		
Space											Spare		
Space											Spare		
Space											Spare		
Space											Spare		
Space											Spare		
Space											Spare		
Space											Spare		
Space											Spare		
Space											Spare		
Space											Spare		
Space											Spare		
Space											Spare		

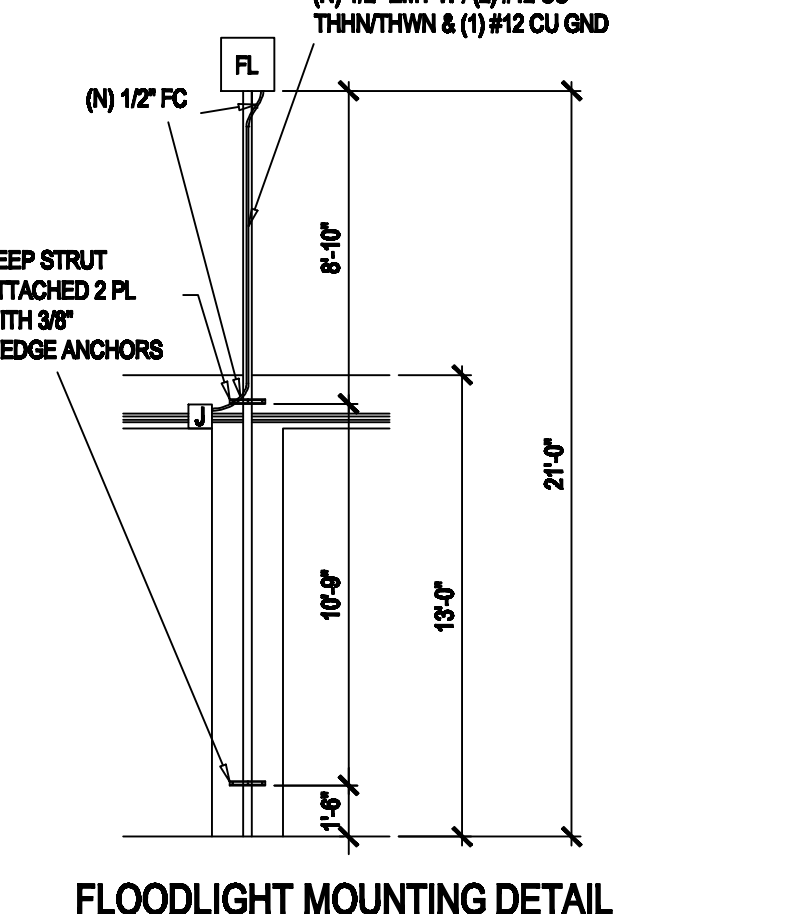


NOTES

- 1. NEW SMUD SERVICE WILL INITIALLY BE 240V, 200A, 4 WIRE DELTA CONNECTED. SERVICE WILL CHANGE TO 208V, 200A, 4 WIRE WYE CONNECTION AT FUTURE DATE.
- 2. PER NOTE 1, "B" PHASE CONDUCTOR, ~200V, SHALL BE MARKED WITH ORANGE TAPE AND SHALL NOT BE USED FOR 120V CIRCUITS.
- 3. PER NOTE 1, ALL PANELBOARDS SHALL HAVE NAME PLATES NOTING SERVICE TYPE AND VOLTAGE. NAME PLATES SHALL BE UPDATED WHEN SERVICE CHANGES AT FUTURE DATE.
- 4. ALL PANELBOARDS SHALL BE RATED FOR SPECIFIED VOLTAGE OR HIGHER.
- 5. ALL ENCLOSURES SHALL BE RAIN PROOF, NEMA 3R.
- 6. GFC CIRCUIT BREAKERS SHALL BE USED ON BRANCH CIRCUITS WITH RECEPTACLES.
- 7. ALL RECEPTACLES SHALL BE EQUIPPED WITH IN-USE RAIN COVERS.
- 8. FLOODLIGHTS (FL) WILL BE MOUNTED ON 2" X 2" RIGID CONDUIT POLES ATTACHED TO BUILDING CONCRETE WALLS.
- 9. GAS BOND AND WATER BOND SHALL BE #6 CU CONDUCTOR, HOME RUN TO BUILDING GROUND POINT IN FUSED SWITCH.
- 10. EMERGENCY AND EGRESS LIGHTING SHALL HAVE 90 MINUTE BATTERY BACKUP POWER SUPPLY.
- 11. 30" X 36" WORKING CLEARANCE SHALL BE MAINTAINED IN FRONT OF ALL ELECTRICAL PANELS. A PLATFORM WITH PERMANENT LADDER WILL BE PROVIDED WHERE MAXIMUM SWITCH HEIGHT EXCEEDS 6' 7".
- 12. A NEW GROUNDING ELECTRODE WILL BE INSTALLED AT ICELAND SERVICE ENTRY POINT. THIS GROUNDING ELECTRODE WILL BE TIED TO AMERICAN ICE GROUNDING ELECTRODE TO ASSURE EQUAL GROUND POTENTIAL EXISTS BETWEEN BOTH BUILDINGS. ICELAND BUILDING GROUND POINT IN MAIN SERVICE PANEL WILL CONNECT TO SHARED GROUNDING CONNECTOR WITH (1) #2 CU CONDUCTOR PROTECTED IN (N) 3/4" PVC CONDUIT.

FIXTURES

- 1. FL FLOOD LIGHT, 250W PSMH, 16" X 16" POLE MOUNT-ECONOLIGHT E-HRP262Z
- 2. OL OUTDOOR LIGHT, 42W CFL WALL PACK-ECONOLIGHT E-WP1F421Z
- 3. XL EXIT SIGN WITH LIGHT, NEMA 3R LED EXIT SIGN WITH LIGHT, 90 MINUTE BATTERY-GREENTORCH XLWC
- 4. EL EMERGENCY LIGHT, TWIN BULB HALOGEN, 90 MINUTE BATTERY OPERATION-GREENTORCH WWHL



SYMBOLS

- J JUNCTION BOX
- ## ENCLOSURE
- SE PANELBOARD
- XL EXIT SIGN WITH BATTERY LIGHT
- FL FLOOD LIGHT, POLE MOUNTED PER DETAIL, 250 W PSMH, 120 V
- OL OUTDOOR LIGHT, WALL PACK, 42 W, 120 V
- ⊙ RECEPTACLE, DEDICATED 20 A GFI CKT, 120 V, DUPLEX WITH IN-USE COVER
- ⊙ SWITCH, SPST, 20 A
- EL EXIT LIGHT

ICELAND VICINITY

NO SCALE

ICELAND SKATING RINK RESTORATION PROJECT

ICELAND SKATING RINK RESTORATION
1430 DEL PASO BLVD
SACRAMENTO CALIFORNIA 95815

OWNER / APPLICANT
ROB KERTH
SACRAMENTO, CALIFORNIA 95815
PHONE 916-798-3121

ELECTRICAL PLAN

REVISION NUMBER	DATE	REVISIONS

NOT TO SCALE
DRAWN 1-11-10