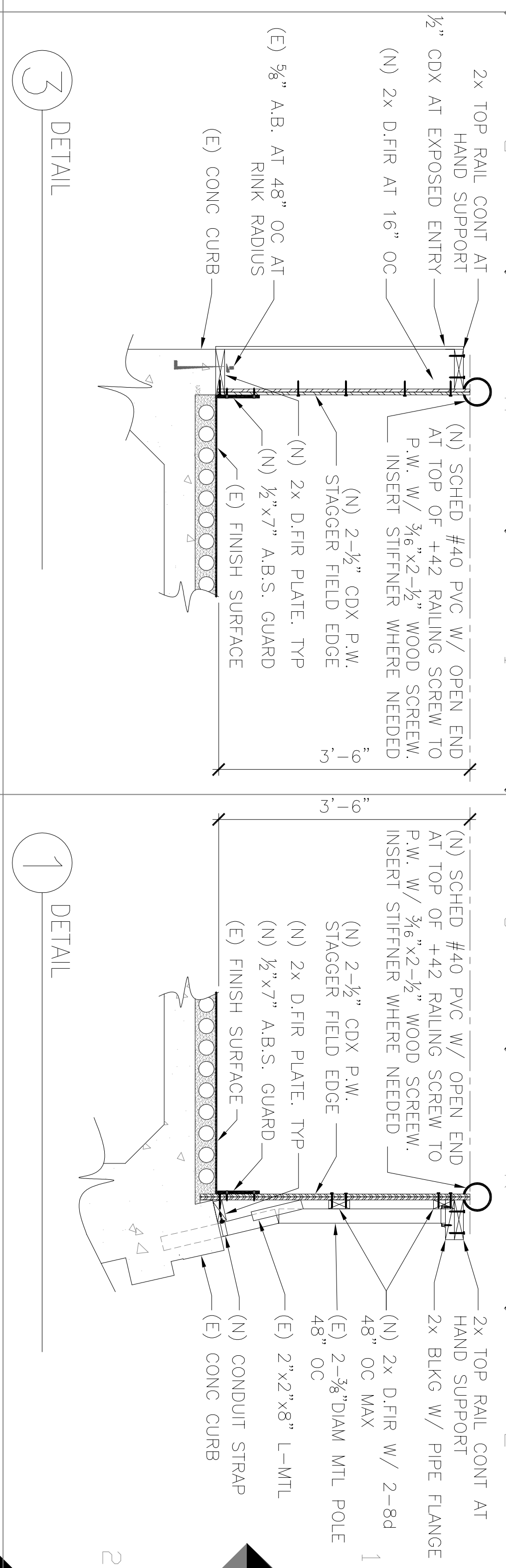
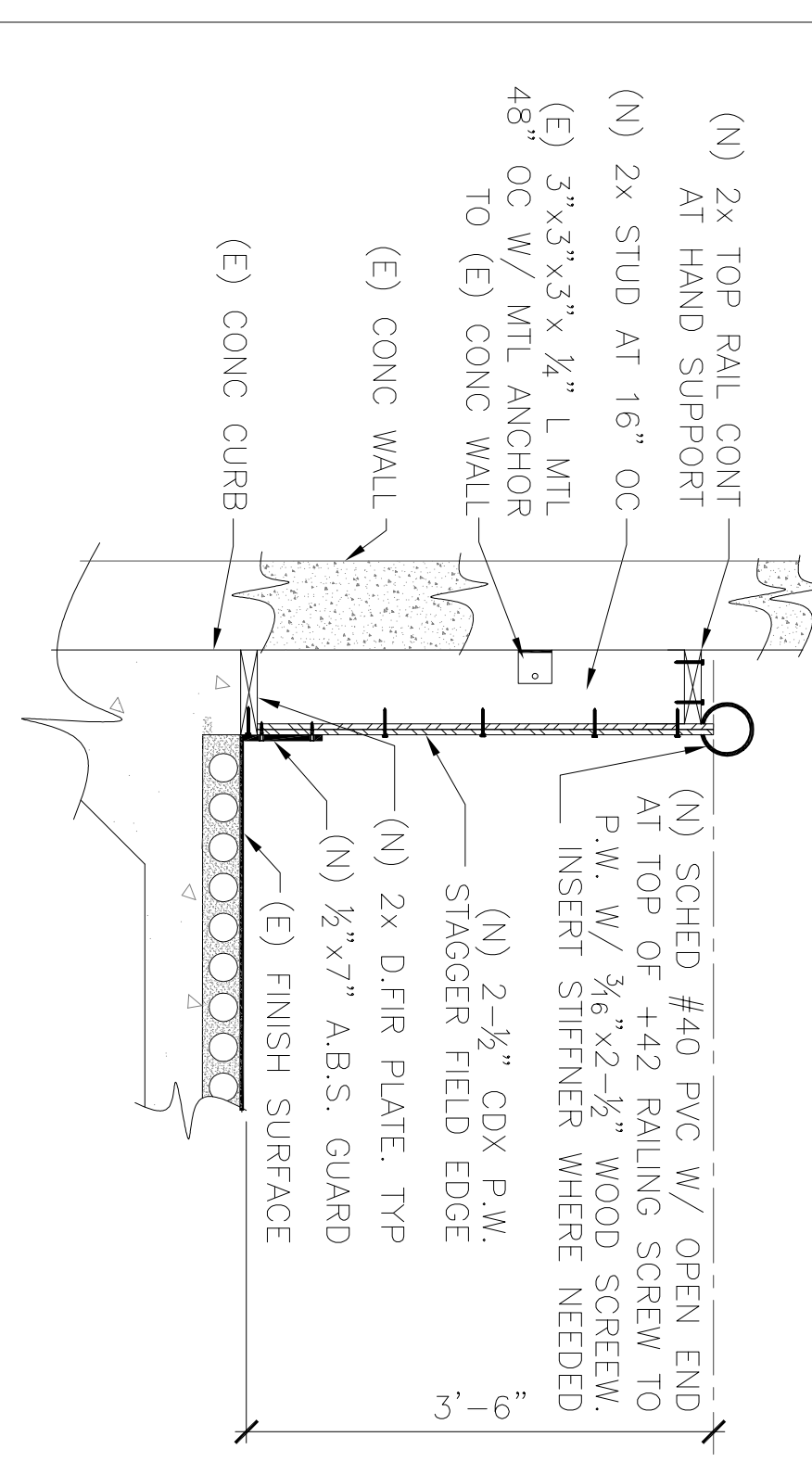


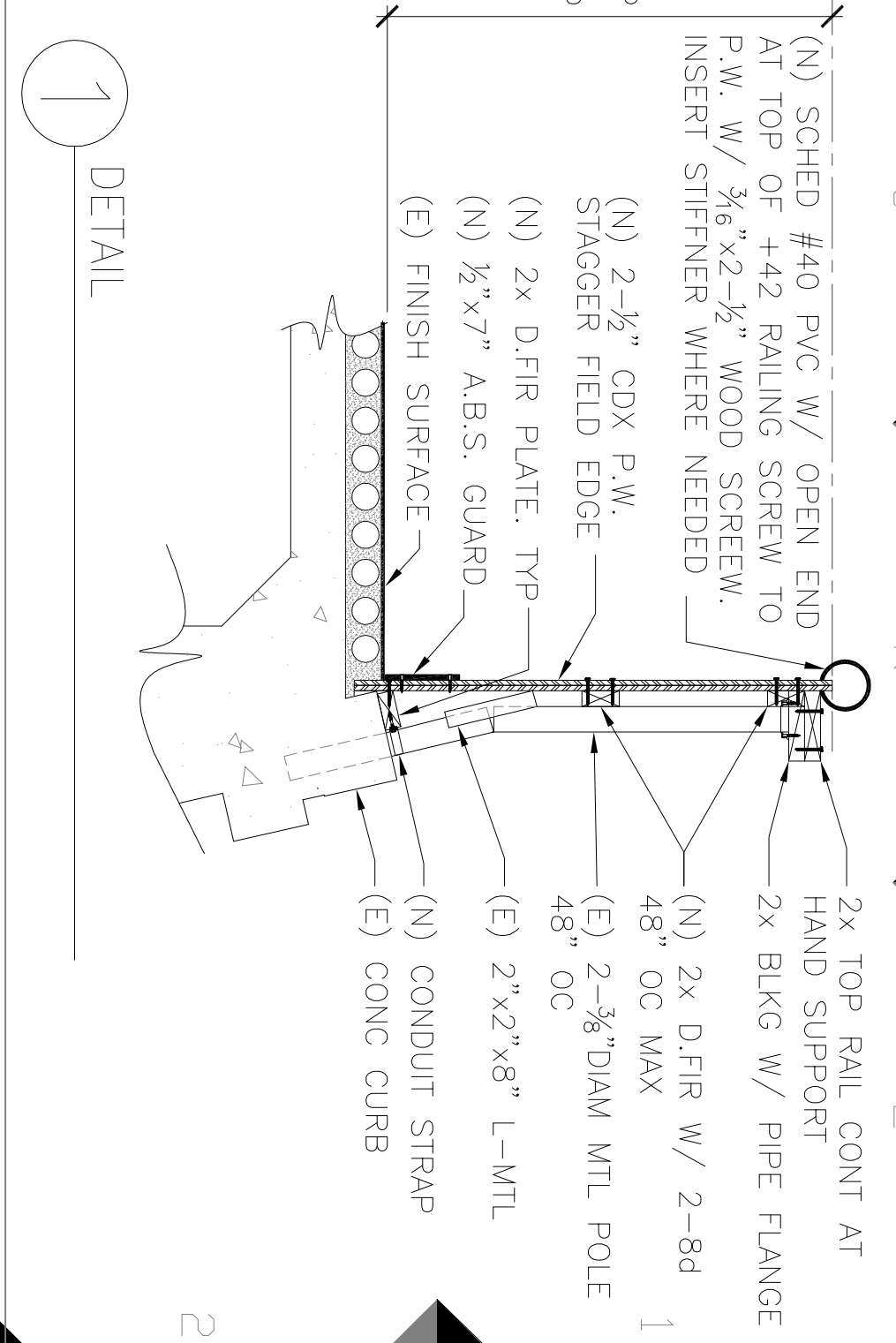
A B C D E F G H I J K L



3 DETAIL



2 DETAIL



1 DETAIL

1 TITLE FOR DETAIL

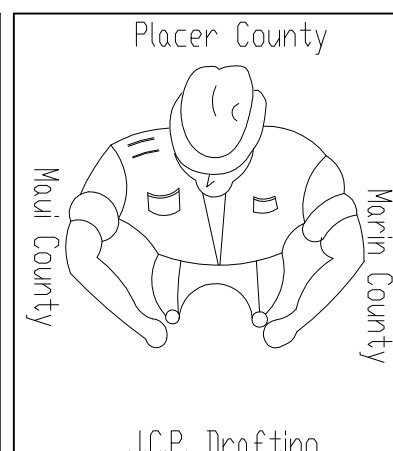
1 TITLE FOR DETAIL

1 TITLE FOR DETAIL

This plan and all plans are protected by the Copyright Laws of the United States Title 17 sec501.506. The home owner may not reproduce in part or whole without the written consent of Jim C Penka

OWNER / APPLICANT
 ROB KERTH
 SACRAMENTO, CALIFORNIA 95693
 PHONE 916-799-3128

ICELAND SKATIG RINKN
 1340 DEL PASO BLVD
 SACRAMENTO CALIFORNIA 95691
 PHONE 916-799-3128



1/8 SCALE 3/4"=1'-0"
 DRAWN 09-11-10

NO.	DATE	REVISIONS	REMARKS

REVISION NUMBER
 COMMENT RE #
 REVISION CLOUD

S.01
 A.P.N.

STRUCTURAL