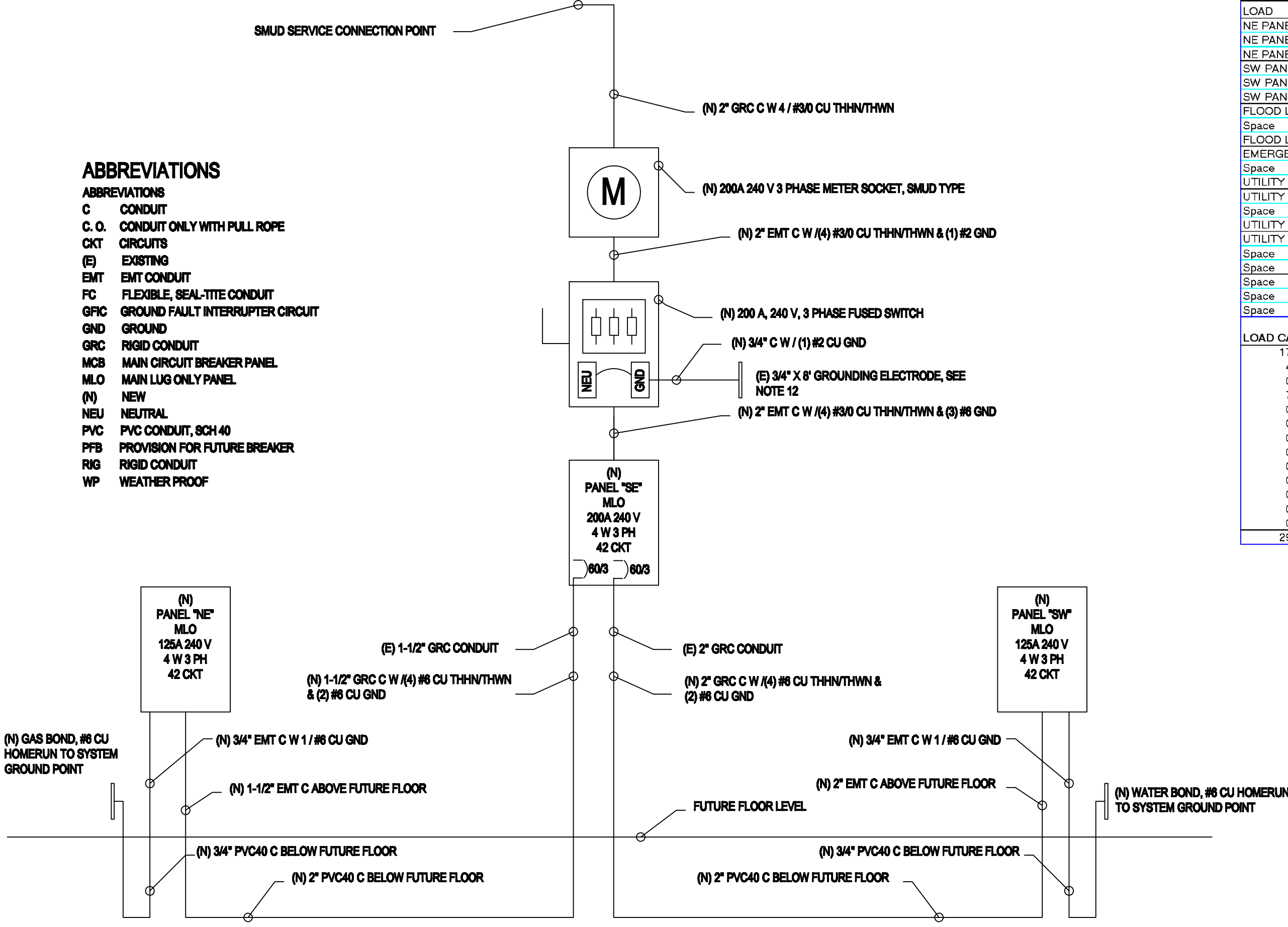


ABBREVIATIONS

- ABBREVIATIONS
C CONDUIT
C.O. CONDUIT ONLY WITH PULL ROPE
CKT CIRCUITS
(E) EXISTING
EMT EMT CONDUIT
FC FLEXIBLE, SEAL-TITE CONDUIT
GFC GROUND FAULT INTERRUPTER CIRCUIT
GND GROUND
GRD RIGID CONDUIT
MCB MAIN CIRCUIT BREAKER PANEL
MLO MAIN LUG ONLY PANEL
(N) NEW
NEU NEUTRAL
PVC PVC CONDUIT, SCH 40
PFB PROVISION FOR FUTURE BREAKER
RIG RIGID CONDUIT
WP WEATHER PROOF



ELECTRICAL ONE-LINE DIAGRAM

NO SCALE

ICELAND SKATING RINK RESTORATION PROJECT

Table with columns: LOAD, KVA, CB, NO, A, B, C, NO, CB, KVA, LOAD. Includes load calculations for Stinger Leg PH B and a legend for various electrical symbols and terms.

Table with columns: LOAD, KVA, CB, NO, A, B, C, NO, CB, KVA, LOAD. Includes load calculations for NE PANEL and a legend.

Table with columns: LOAD, KVA, CB, NO, A, B, C, NO, CB, KVA, LOAD. Includes load calculations for NE PANEL and a legend.

NOTES

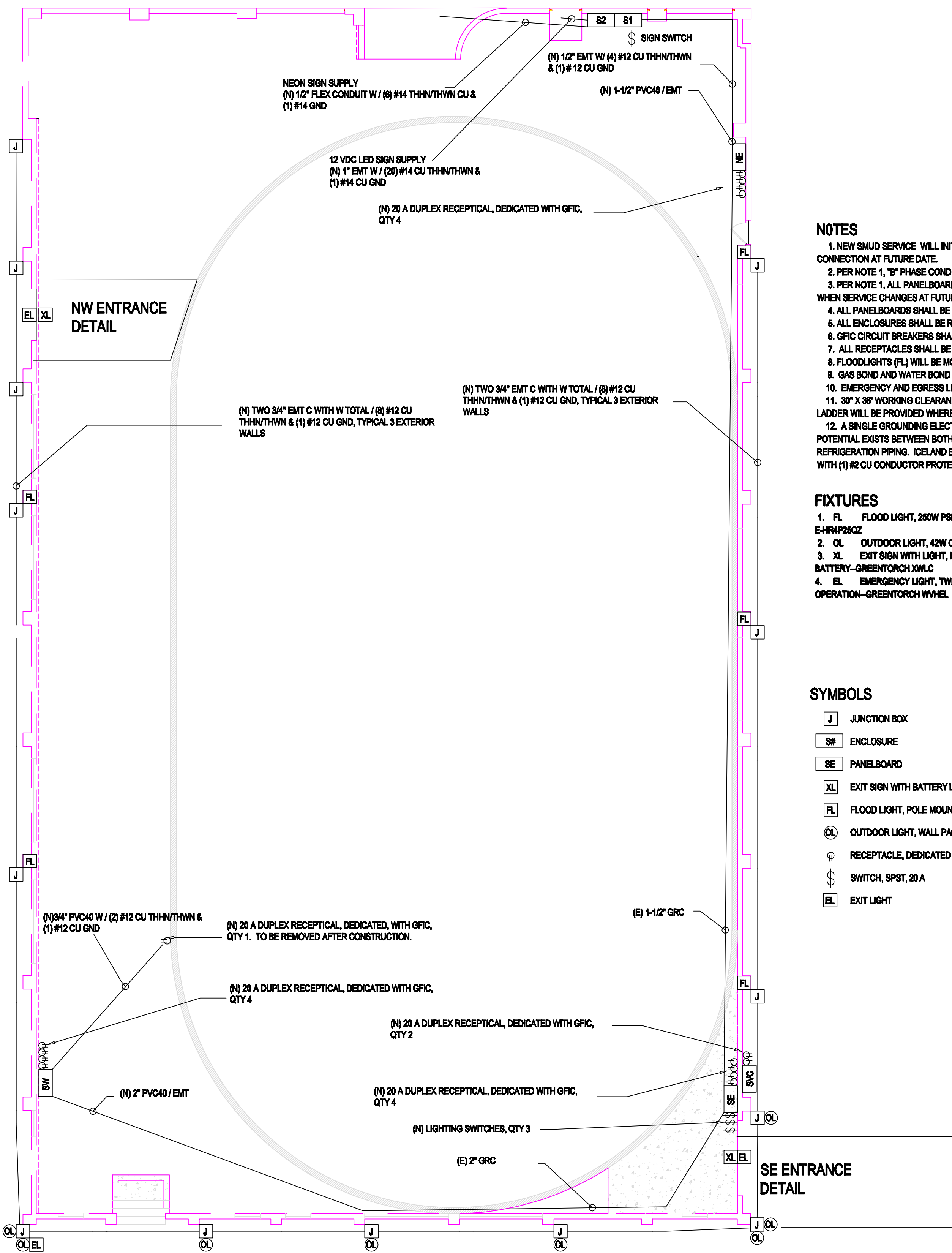
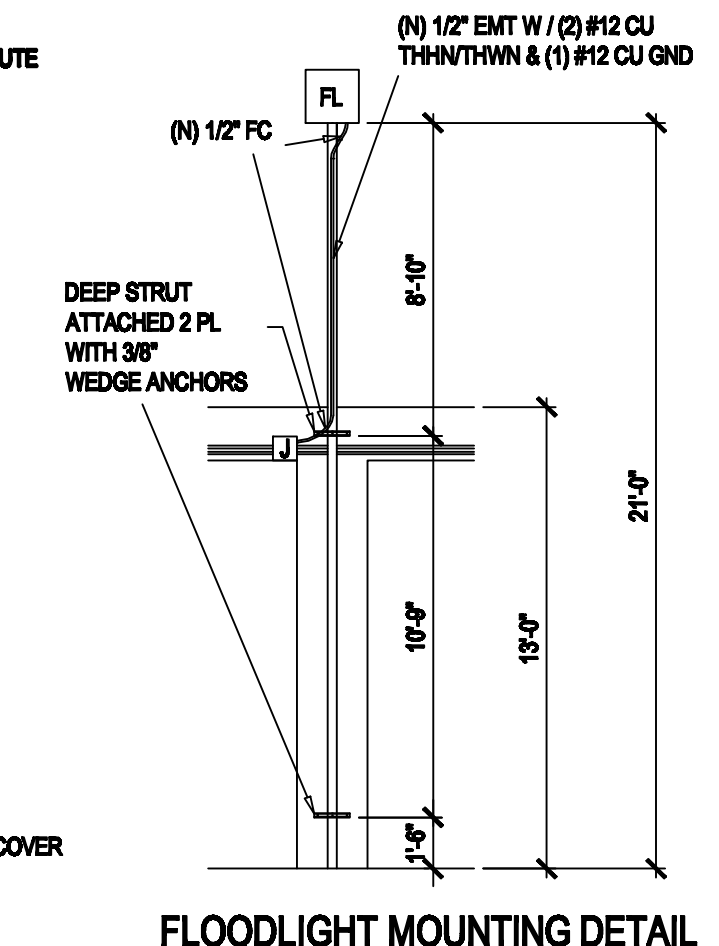
- 1. NEW SMUD SERVICE WILL INITIALLY BE 240V, 200A, 4 WIRE DELTA CONNECTED. SERVICE WILL CHANGE TO 208V, 200A, 4 WIRE WYE CONNECTION AT FUTURE DATE.
2. PER NOTE 1, 'B' PHASE CONDUCTOR, -200V, SHALL BE MARKED WITH ORANGE TAPE AND SHALL NOT BE USED FOR 120V CIRCUITS.
3. PER NOTE 1, ALL PANELBOARDS SHALL HAVE NAME PLATES NOTING SERVICE TYPE AND VOLTAGE. NAME PLATES SHALL BE UPDATED WHEN SERVICE CHANGES AT FUTURE DATE.
4. ALL PANELBOARDS SHALL BE RATED FOR SPECIFIED VOLTAGE OR HIGHER.
5. ALL ENCLOSURES SHALL BE RAIN PROOF, NEMA 3R.
6. GFC CIRCUIT BREAKERS SHALL BE USED ON BRANCH CIRCUITS WITH RECEPTACLES.
7. ALL RECEPTACLES SHALL BE EQUIPPED WITH IN-USE RAIN COVERS.
8. FLOODLIGHTS (FL) WILL BE MOUNTED ON 2 1/2" RIGID CONDUIT POLES ATTACHED TO BUILDING CONCRETE WALLS.
9. GAS BOND AND WATER BOND SHALL BE #8 CU CONDUCTOR, HOME RUN TO BUILDING GROUND POINT IN FUSED SWITCH.
10. EMERGENCY AND EGRESS LIGHTING SHALL HAVE 90 MINUTE BATTERY BACKUP POWER SUPPLY.
11. 30" X 38" WORKING CLEARANCE SHALL BE MAINTAINED IN FRONT OF ALL ELECTRICAL PANELS. A PLATFORM WITH PERMANENT LADDER WILL BE PROVIDED WHERE MAXIMUM SWITCH HEIGHT EXCEEDS 6'7".
12. A SINGLE GROUNDING ELECTRODE WILL SERVE BOTH AMERICAN ICE AND ICELAND SKATING RINK TO ASSURE EQUAL GROUND POTENTIAL EXISTS BETWEEN BOTH BUILDINGS. THIS IS NECESSITATED BECAUSE OF THE CONDUCTING PATHS THROUGH THE SHARED REFRIGERATION PIPING. ICELAND BUILDING GROUND POINT IN MAIN SERVICE PANEL WILL CONNECT TO SHARED GROUNDING CONNECTOR WITH (1) #2 CU CONDUCTOR PROTECTED IN (N) 3/4" PVC CONDUIT.

FIXTURES

- 1. FL FLOOD LIGHT, 250W PSMH, 18" X 18" POLE MOUNT-E-CONLIGHT E-HRP262Z
2. OL OUTDOOR LIGHT, 42W CFL WALL PACK-E-CONLIGHT E-WP1F421Z
3. XL EXIT SIGN WITH LIGHT, NEMA 3R LED EXIT SIGN WITH LIGHT, 90 MINUTE BATTERY-GREENTORCH XLWL
4. EL EMERGENCY LIGHT, TWIN BULB HALOGEN, 90 MINUTE BATTERY OPERATION-GREENTORCH WWHL

SYMBOLS

- J JUNCTION BOX
ENCLOSURE
SE PANELBOARD
XL EXIT SIGN WITH LIGHT
FL FLOOD LIGHT, POLE MOUNTED PER DETAIL, 250 W PSMH, 120 V
OL OUTDOOR LIGHT, WALL PACK, 42 W, 120 V
R RECEPTACLE, DEDICATED 20 A GFI CKT, 120 V, DUPLEX WITH IN-USE COVER
S SWITCH, SPST, 20 A
EL EXIT LIGHT



ICELAND VICINITY

NO SCALE

ICELAND SKATING RINK RESTORATION PROJECT

Revision cloud and project information table including revision numbers, dates, and names.

ICELAND SKATING RINK RESTORATION
1430 DEL PASO BLVD
SACRAMENTO CALIFORNIA 95815

OWNER / APPLICANT
ROB KERTH
SACRAMENTO, CALIFORNIA 95815
PHONE 916-798-3121

ELECTRICAL PLAN