

ELECTRICAL ONE-LINE DIAGRAM

NO SCALE ICELAND SKATING RINK RESTORATION PROJECT

CONDUIT FILL CALCULATION

Service Conductors	Total		
Number of Conductors	4	4	
AWG		3/0	
Area	1.0716	1.0716	
Pipe required		2 inch	

Meter / 200A Switch feed	Total		
Number of Conductors	5	4	1
AWG		3/0	2
Area	1.1874	1.0716	0.1158
Pipe required		2 INCH	

SE Panel Feed	Total		
Number of Conductors	5	4	1
AWG		3/0	2
Area	1.1874	1.0716	0.1158
Pipe required		2	

SW Panel Feeds	Total		
Number of Conductors	4	4	
AWG		6	
Area	0.2028	0.2028	
Pipe required		3/4	

NE Panel Feeds	Total		
Number of Conductors	4	4	
AWG		6	
Area	0.2028	0.2028	
Pipe required		3/4	

GND Electrode	Total		
Number of Conductors	1	1	
AWG		2	
Area	0.1158	0.1158	
Pipe required		1/2	

ABBREVIATIONS

- ABBREVIATIONS
- C CONDUIT
- C.O. CONDUIT ONLY WITH PULL ROPE
- CKT CIRCUITS
- (E) EXISTING
- EMT EMT CONDUIT
- GFIC GROUND FAULT INTERRUPTER CIRCUIT
- GND GROUND
- GRC RIGID CONDUIT
- MCB MAIN CIRCUIT BREAKER PANEL
- MLO MAIN LUG ONLY PANEL
- (N) NEW
- NEU NEUTRAL
- PVC PVC CONDUIT, SCH 40
- PFB PROVISION FOR FUTURE BREAKER
- RIG RIGID CONDUIT
- WP WEATHER PROOF

NOTES

1. SMUD SERVICE WILL INITIALLY BE 240V, 200A, 4 WIRE DELTA CONNECTED. SERVICE WILL CHANGE TO 208V, 200A, 4 WIRE WYE CONNECTION AT FUTURE DATE.
2. PER NOTE 1, "A" PHASE CONDUCTOR, -200V-, SHALL BE MARKED WITH ORANGE TAPE AND SHALL NOT BE USED FOR 120V CIRCUITS.
3. PER NOTE 1, ALL PANELBOARDS SHALL HAVE NAME PLATES NOTING SERVICE TYPE AND VOLTAGE. NAME PLATES SHALL BE UPDATED WHEN SERVICE CHANGES AT FUTURE DATE.
4. ALL PANELBOARDS SHALL BE RATED FOR SPECIFIED VOLTAGE OR HIGHER
5. ALL ENCLOSURES SHALL BE RAIN PROOF, NEMA 3R
6. GFIC CIRCUIT BREAKERS SHALL BE USED ON BRANCH CIRCUITS WITH RECEPTACLES.
7. ALL RECEPTACLES SHALL BE EQUIPPED WITH IN-USE RAIN COVERS
8. FLOODLIGHTS (FL) WILL BE MOUNTED ON 21" X 2" RIGID CONDUIT POLES ATTACHED TO BUILDING CONCRETE WALLS
- 9.

FIXTURES

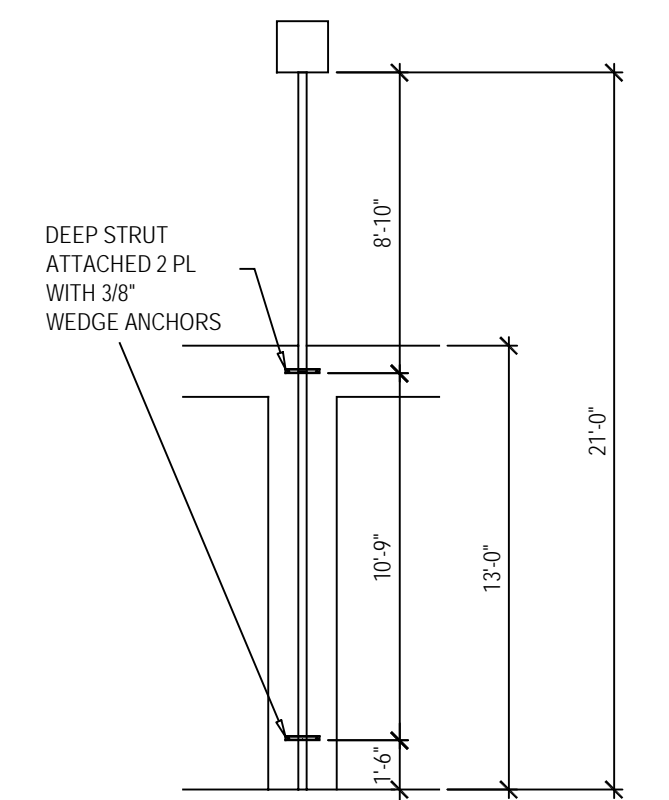
FL	FLOOD LIGHT	250W PSMH, 16" X 16" POLE MOUNT	E-CONOLIGHT E-HRP250Z
OL	OUTDOOR LIGHT	23W CFL PAR 38 IN OUTDOOR LAMP HOLDER	COMMERCIAL
XL	EXIT SIGN WITH LIGHT	NEMA 4R LED EXIT SIGN WITH LIGHT, BATTERY	GREENTORCH XWLC

LOAD CALCULATION

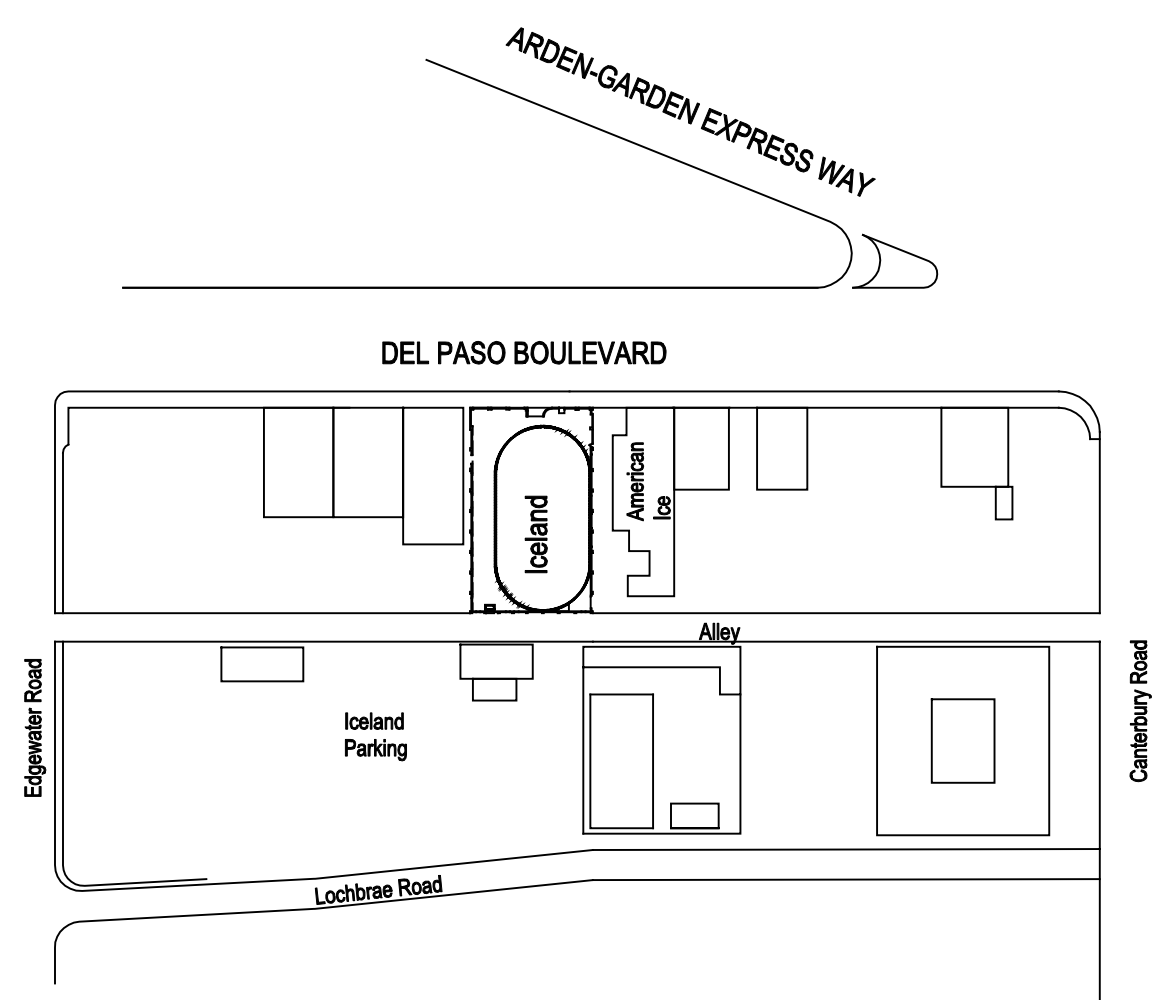
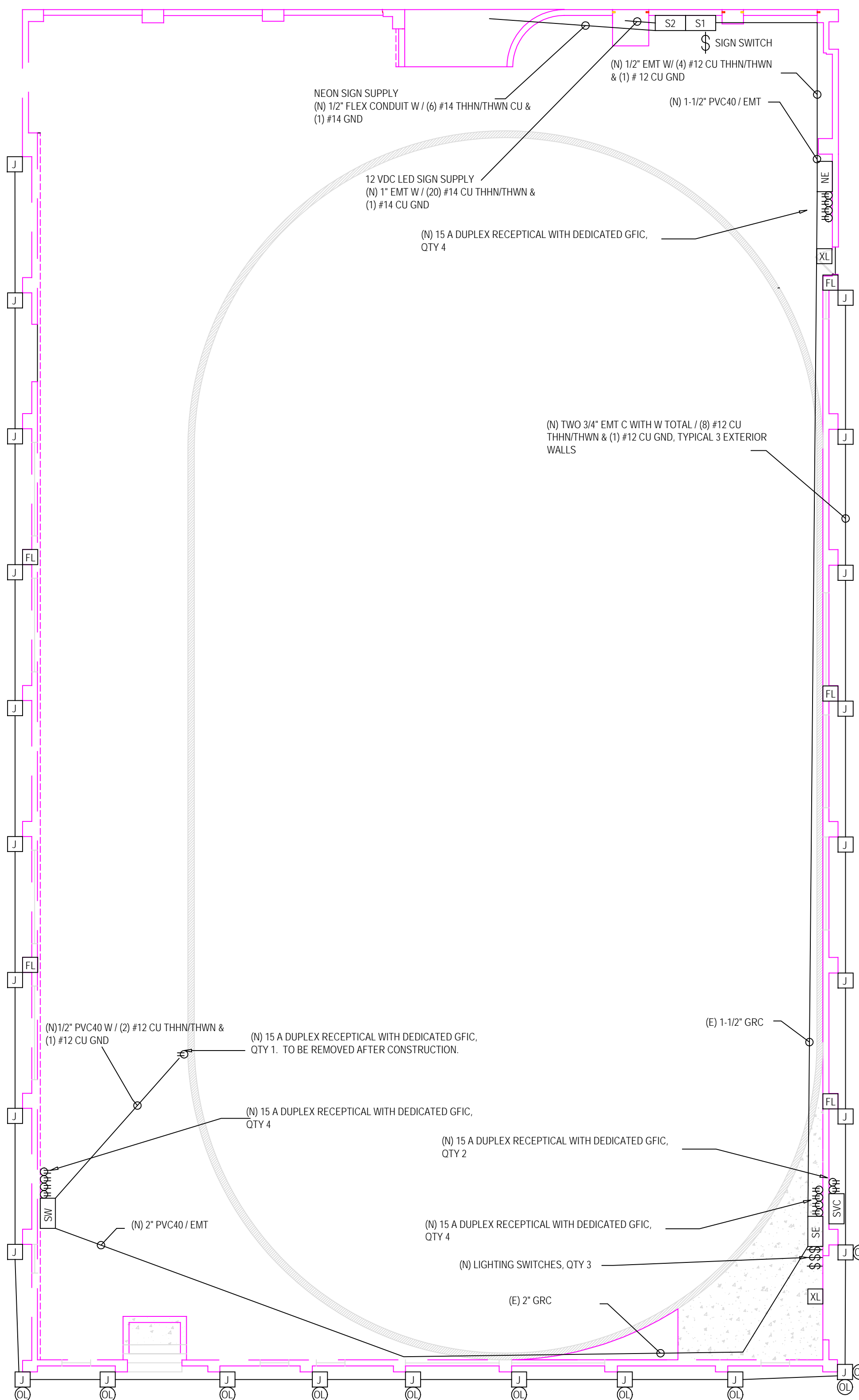
LOAD	KVA	DESCRIPTION
4	KVA	CONTINUOUS NON-MOTOR
1.0	KVA	25% CONTINUOUS NON-MOTOR
2	KVA	NON-CONTINUOUS
30	KVA	RECEPTACLE (FIRST 10KVA)
14.2	KVA	RECEPTACLE (BALANCE AT 50%)
0.5	KVA	MOTOR LOAD
0.1	KVA	25% OF LARGEST MOTOR
0	KVA	KITCHEN EQUIPMENT
0	KVA	HOTEL/MOTEL DEMAND
0	KVA	ARC WELDERS
0	KVA	RESISTANCE WELDERS
51.8	LOAD KVA	
127.0	AMPS AT 240 V 3 PHASE	

SYMBOLS

- J JUNCTION BOX
- SF ENCLOSURE
- SE PANELBOARD
- XL EXIT SIGN WITH BATTERY LIGHT
- FL FLOOD LIGHT, POLE MOUNTED
- OL OUTDOOR LIGHT, PAR STYLE WITH LAMP HOLDER
- ⊕ RECEPTICAL, 15 A, 120 V, DUPLEX WITH IN-USE COVER
- ⊕ SWITCH, SPST, 15 A



FLOODLIGHT MOUNTING DETAIL



ICELAND VICINITY

NO SCALE ICELAND SKATING RINK RESTORATION PROJECT

		ICELAND SKATING RINK RESTORATION 1430 DEL PASO BLVD SACRAMENTO CALIFORNIA 95815	OWNER / APPLICANT ROB KERTH SACRAMENTO, CALIFORNIA 95815 PHONE 916-799-3121	ELECTRICAL PLAN
--	--	--	--	------------------------